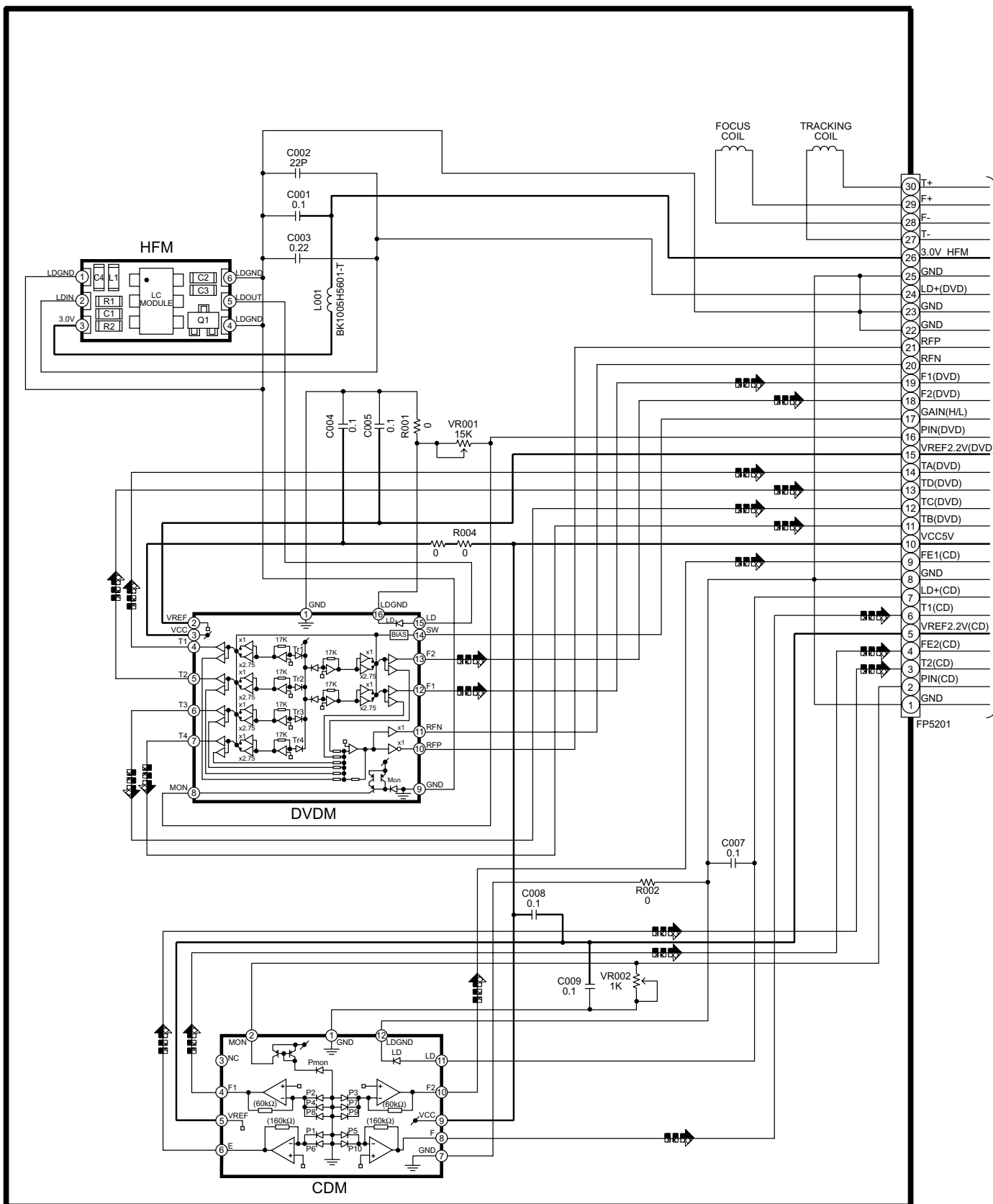


SCHEMATIC DIAGRAM - 1

————— : +B SIGNAL LINE  : DVD (AUDIO/VIDEO) SIGNAL LINE



OPTICAL PICKUP UNIT



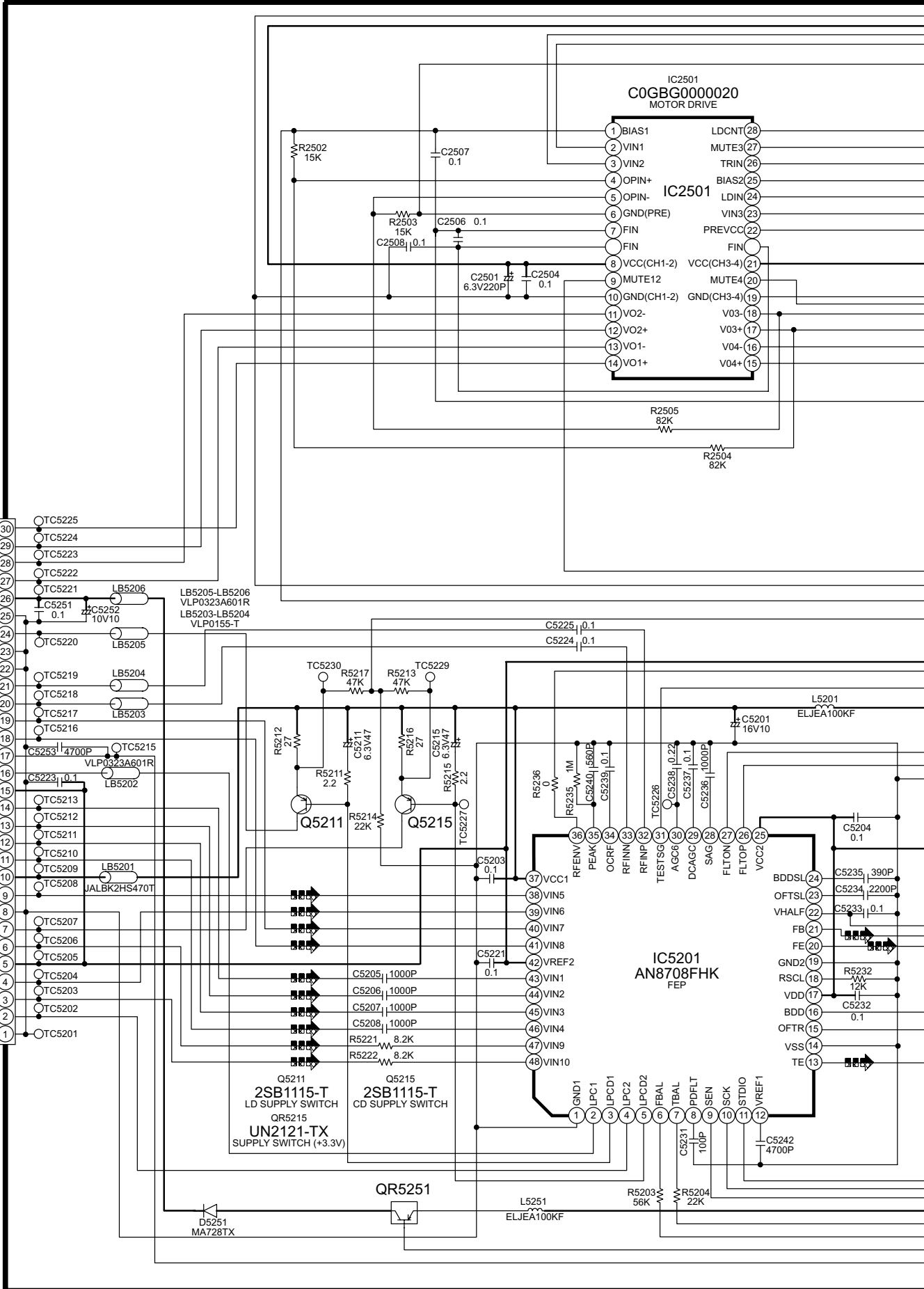
A
TO DVD MODULE
(1)CIRCUIT
(FP5201) ON
SCHEMATIC
DIAGRAM-2

SCHEMATIC DIAGRAM - 2

A DVD MODULE(1) CIRCUIT

— : +B SIGNAL LINE : DVD (AUDIO/VIDEO) SIGNAL LINE

TO OPTICAL PICKUP UNIT (FP5201) ON SCHEMATIC DIAGRAM-1

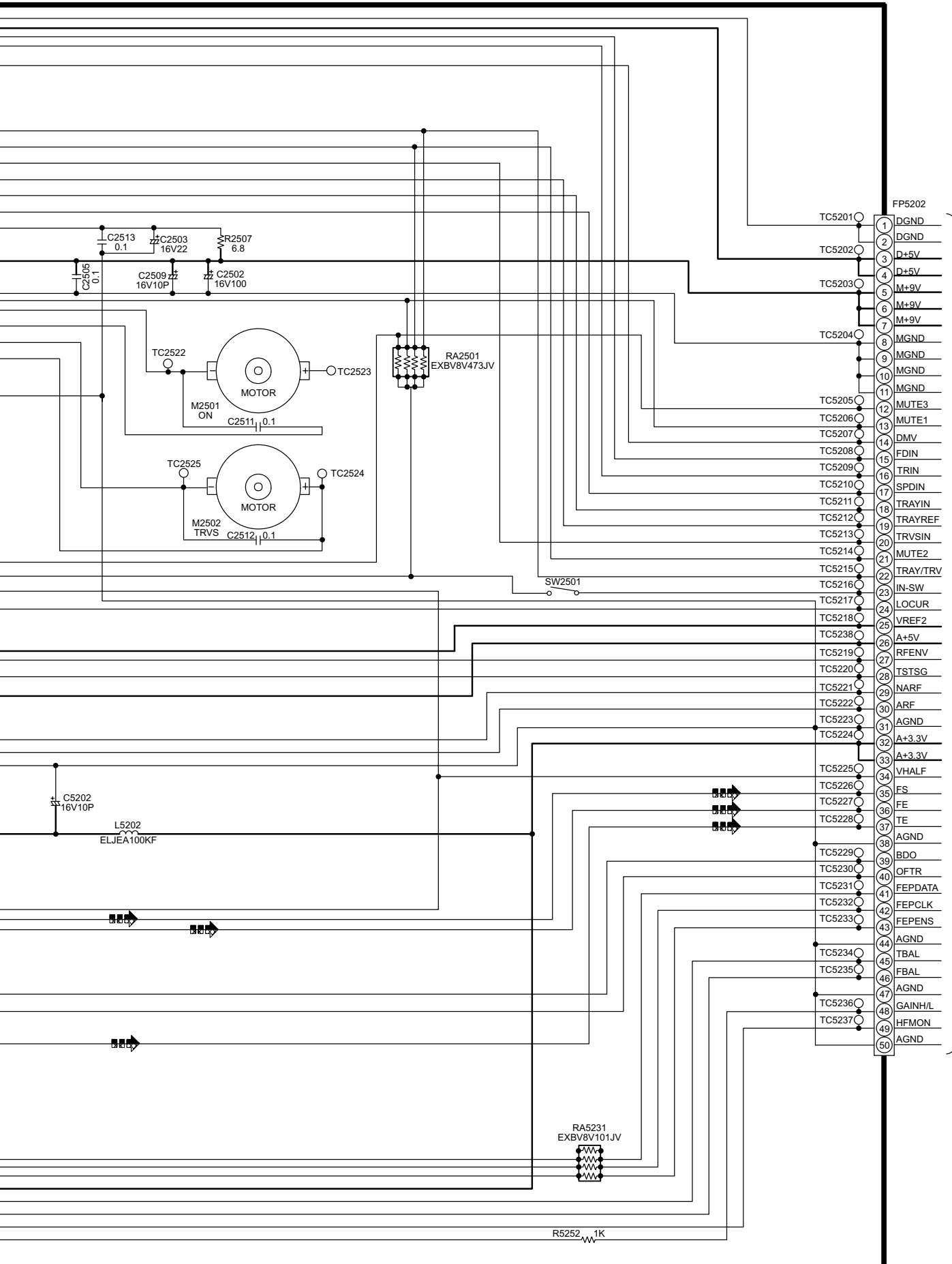


SCHEMATIC DIAGRAM - 3

A

DVD MODULE(1) CIRCUIT

— : +B SIGNAL LINE  : DVD (AUDIO/VIDEO) SIGNAL LINE



B
TO DVD MODULE(2)
CIRCUIT
(FP2001) ON
SCHEMATIC
DIAGRAM-4

SCHEMATIC DIAGRAM - 10

B

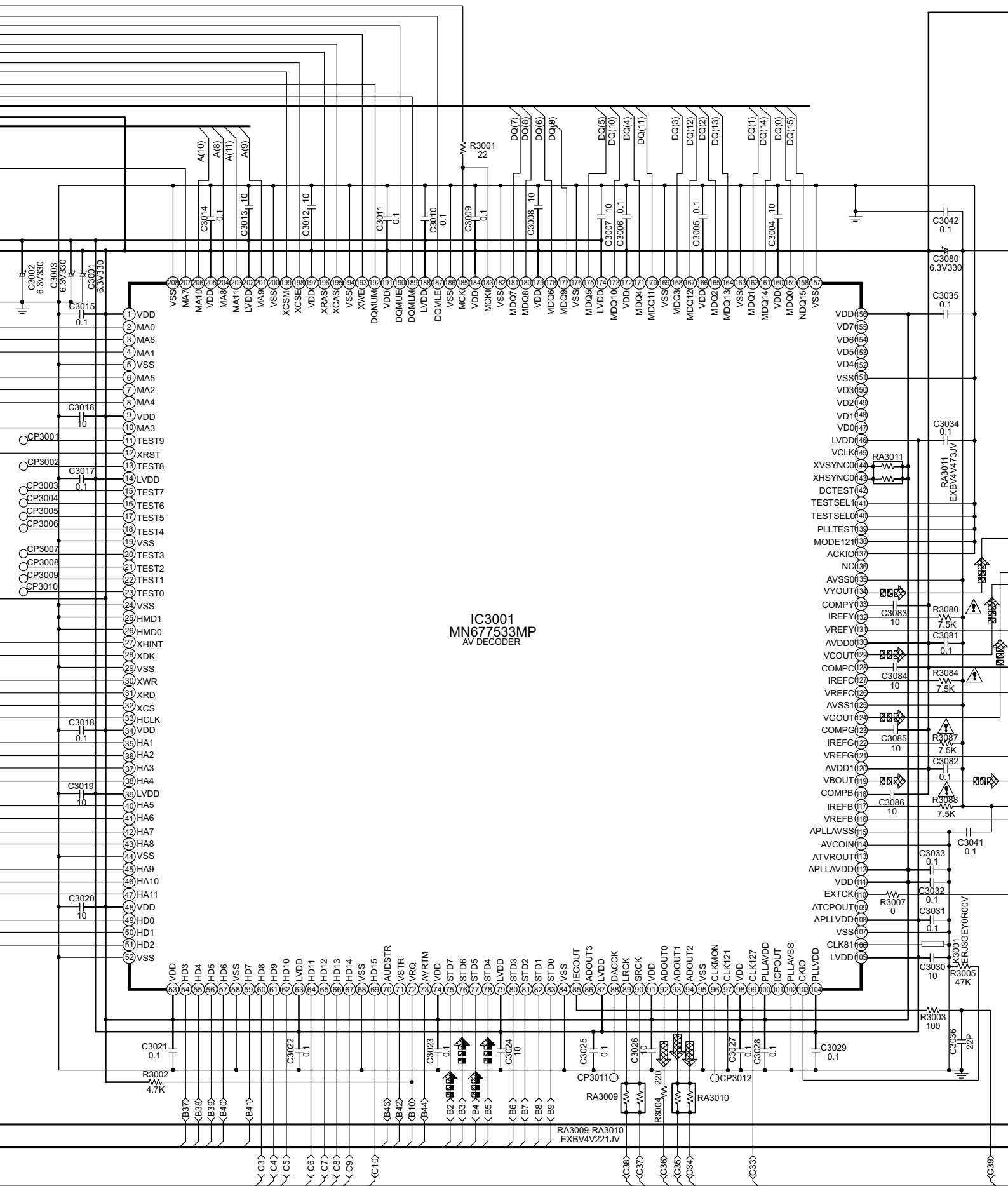
DVD MODULE(2) CIRCUIT

— : +B SIGNAL LINE

⊠ : CD/DVD (AUDIO) SIGNAL LINE

⊠ : DVD (AUDIO/VIDEO) SIGNAL LINE

⊠ : DVD (VIDEO) SIGNAL LINE

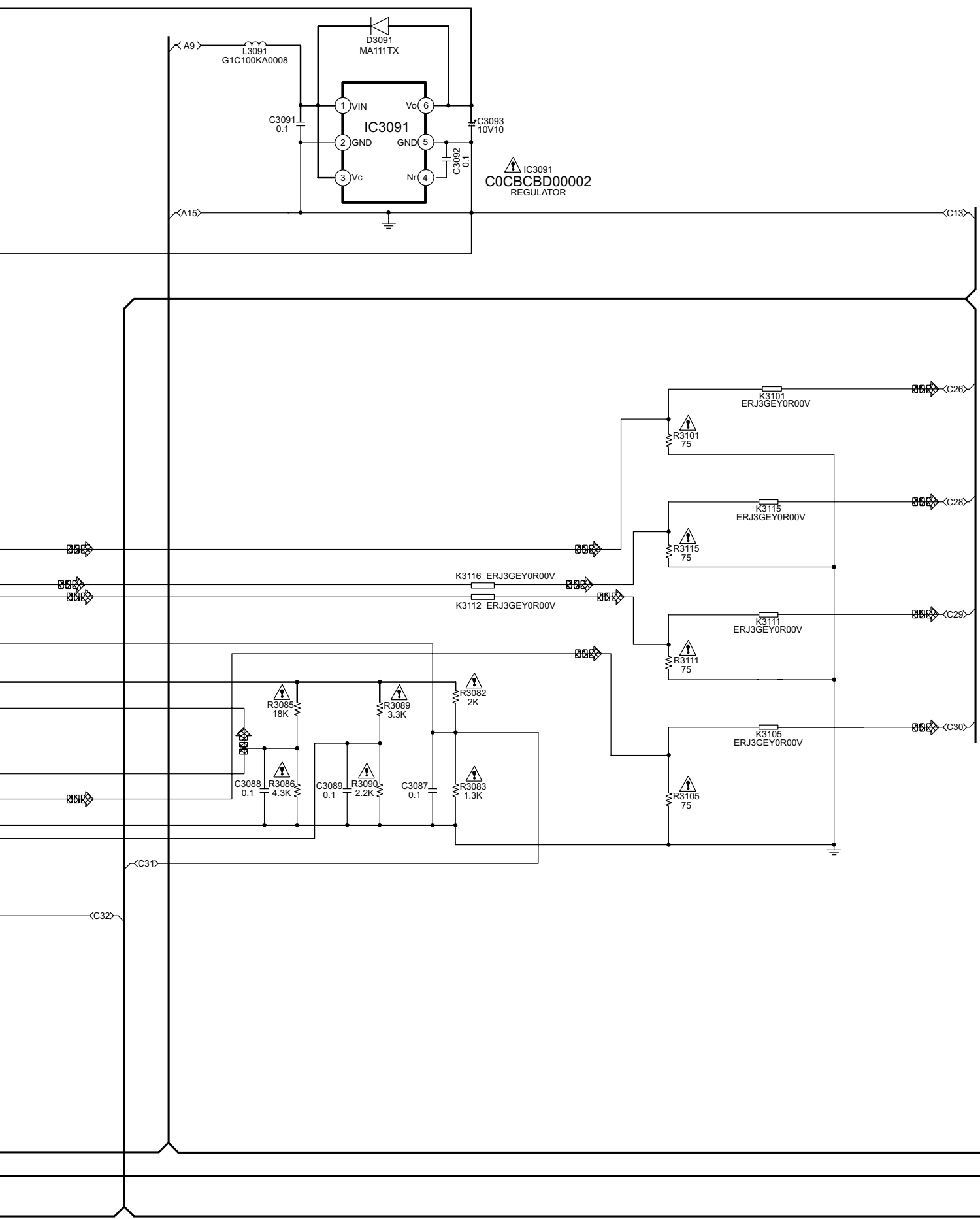


SCHEMATIC DIAGRAM - 11

B DVD MODULE(2) CIRCUIT

— : +B SIGNAL LINE

⊠ : DVD (VIDEO) SIGNAL LINE



SCHEMATIC DIAGRAM - 12

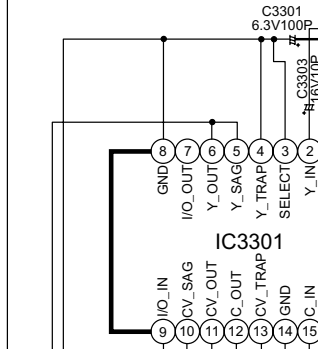
B DVD MODULE(2) CIRCUIT

C3210
0.1

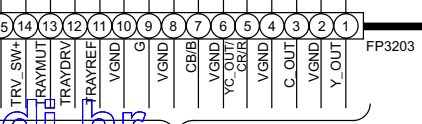
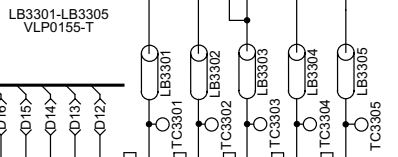
C3209
0.1

IC3301
C1AB00001393
VIDEO BUFFER

QR3301
UNR5212TX
AMP



QR3301



www.rtv-horvat-dj.hr

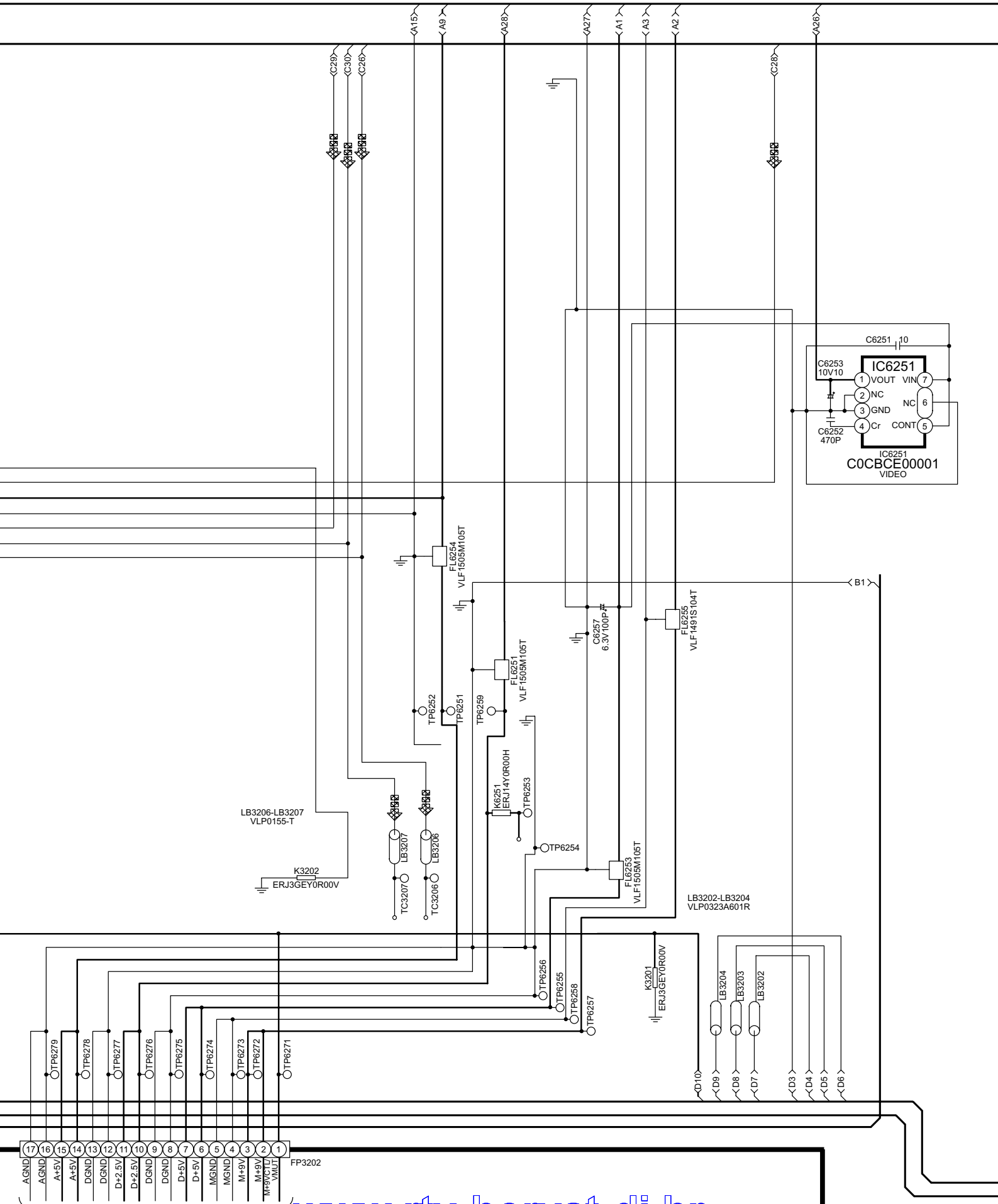
INPUT CIRCUIT (CN101) ON SCHEMATIC DIAGRAM-16

SCHEMATIC DIAGRAM - 13

B DVD MODULE(2) CIRCUIT

— : +B SIGNAL LINE

⊠ : DVD (VIDEO) SIGNAL LINE



- 17 AGND
- 16 AGND
- 15 A+5V
- 14 A+5V
- 13 DGND
- 12 DGND
- 11 D+2.5V
- 10 D+2.5V
- 9 DGND
- 8 DGND
- 7 D+5V
- 6 D+5V
- 5 MGND
- 4 MGND
- 3 M+5V
- 2 M+5V
- 1 M+3VCTD

FP3202

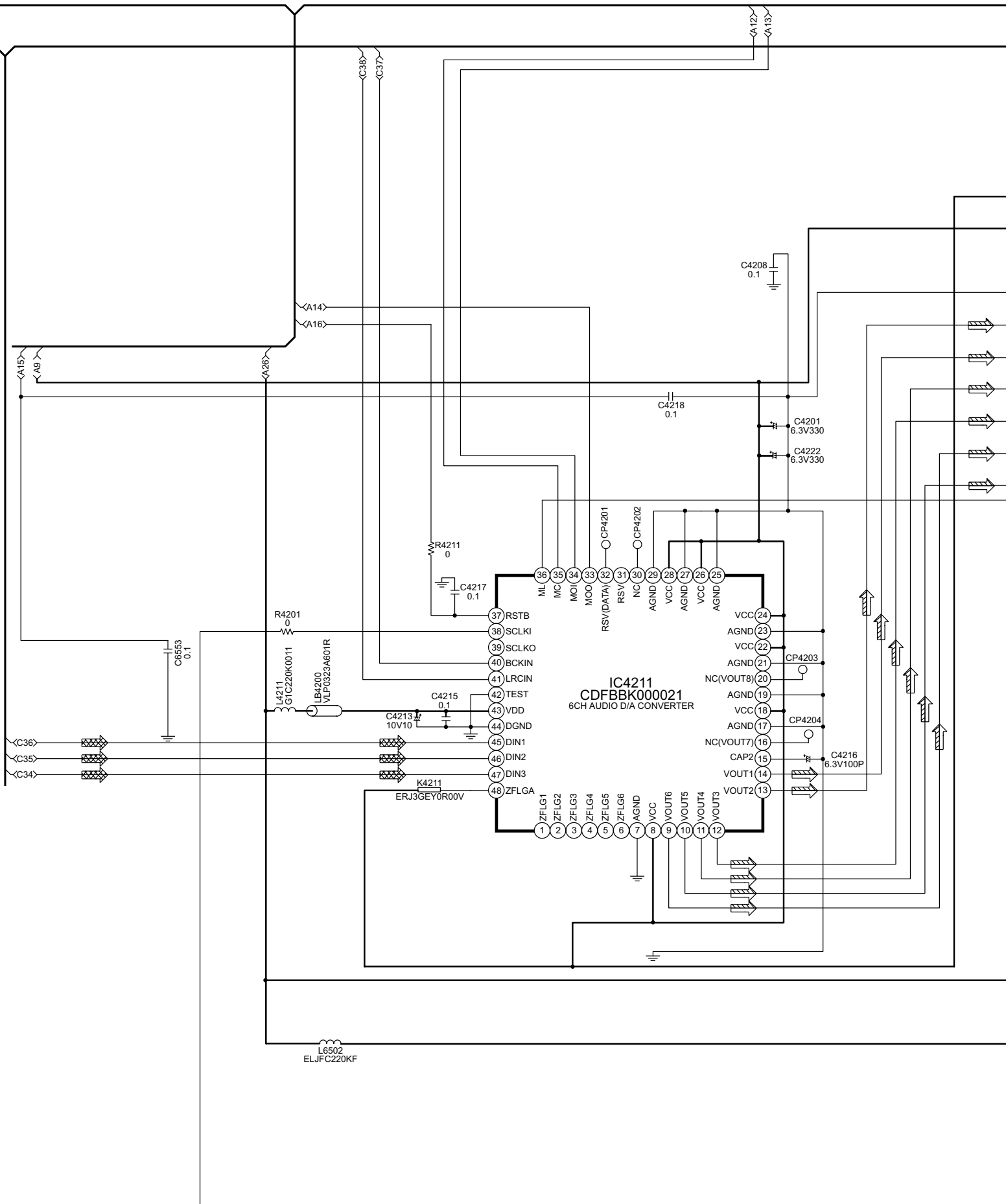
www.rtv-horvat-dj.hr

TO **F**
DVDREG CIRCUIT (CP6251)
ON SCHEMATIC DIAGRAM-21

SCHEMATIC DIAGRAM - 14

B DVD MODULE(2) CIRCUIT

⎓ : +B SIGNAL LINE
 ⎓ : CD/DVD (AUDIO) SIGNAL LINE
 ⎓ : MAIN SIGNAL LINE

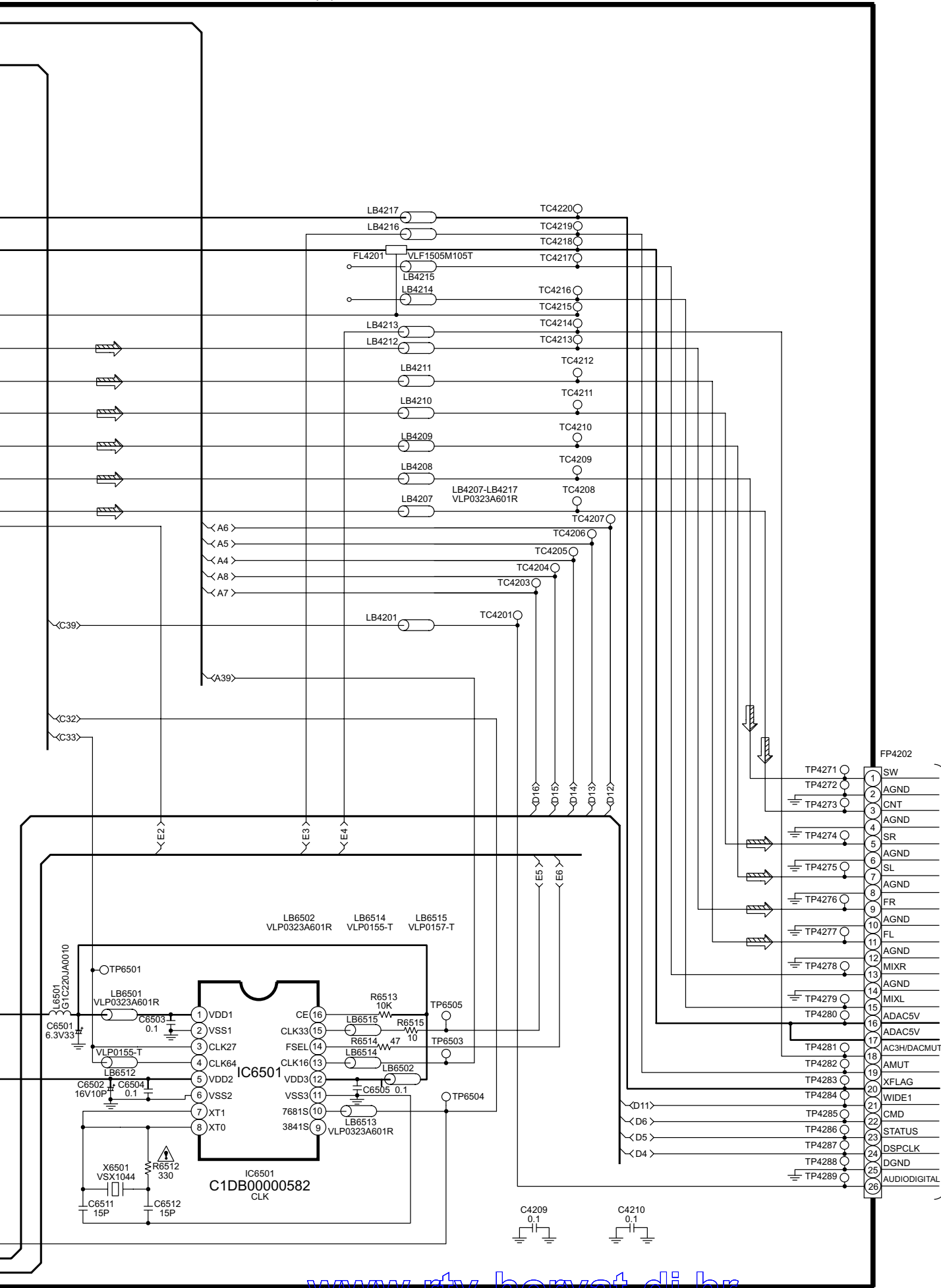


SCHEMATIC DIAGRAM - 15

B DVD MODULE(2) CIRCUIT

— : +B SIGNAL LINE

⇨ : MAIN SIGNAL LINE



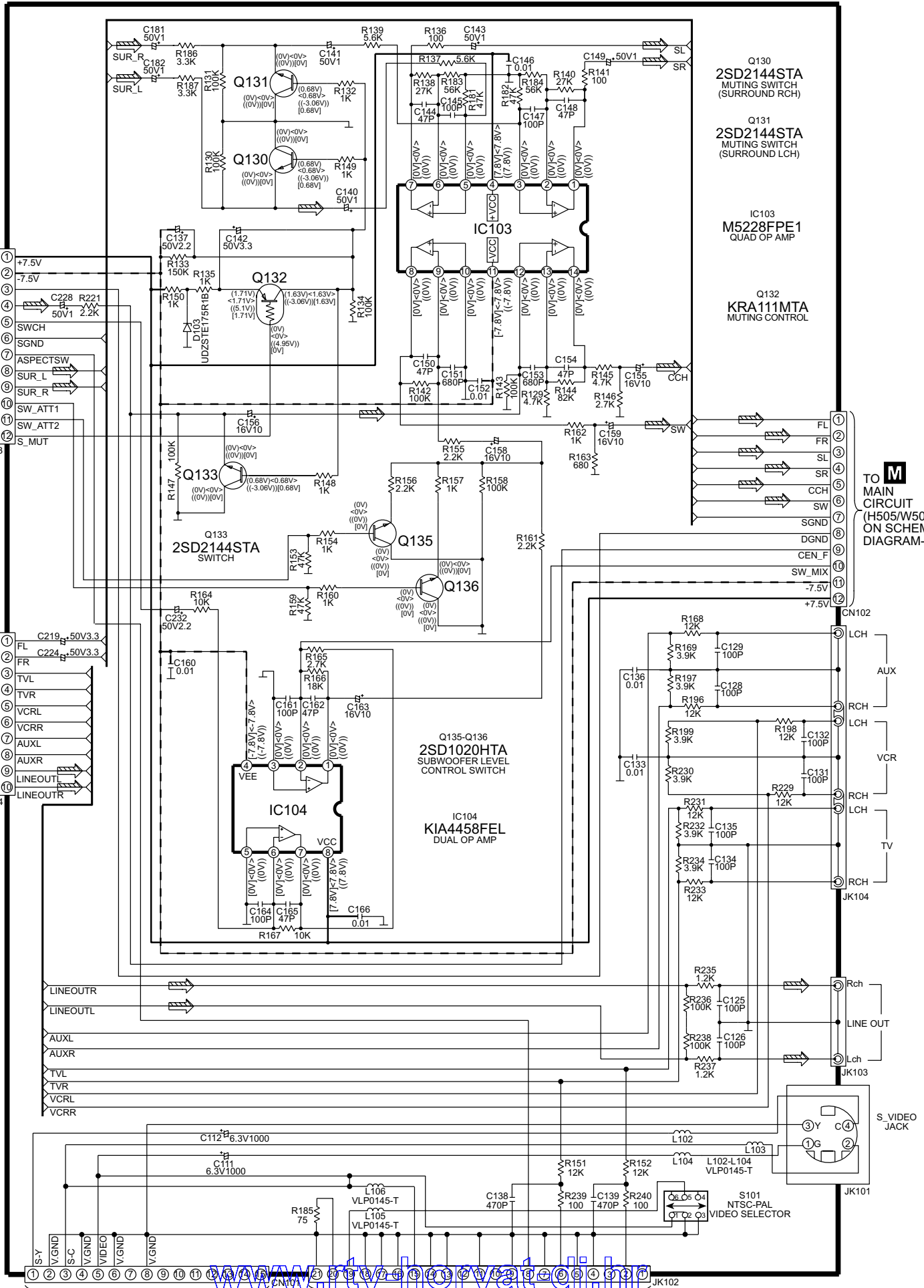
F
TO DVDREG
CIRCUIT
(CN1304) ON
SCHEMATIC
DIAGRAM-20

SCHEMATIC DIAGRAM - 16



INPUT CIRCUIT

— : +B SIGNAL LINE - - - : -B SIGNAL LINE ⇨ : MAIN SIGNAL LINE



TO ASP CIRCUIT (CN103) ON SCHEMATIC DIAGRAM-17

TO ASP CIRCUIT (CN104) ON SCHEMATIC DIAGRAM-17

TO MAIN CIRCUIT (H505/W505) ON SCHEMATIC DIAGRAM-27

TO DVD MODULE(2) CIRCUIT (FP3203) ON SCHEMATIC DIAGRAM-12

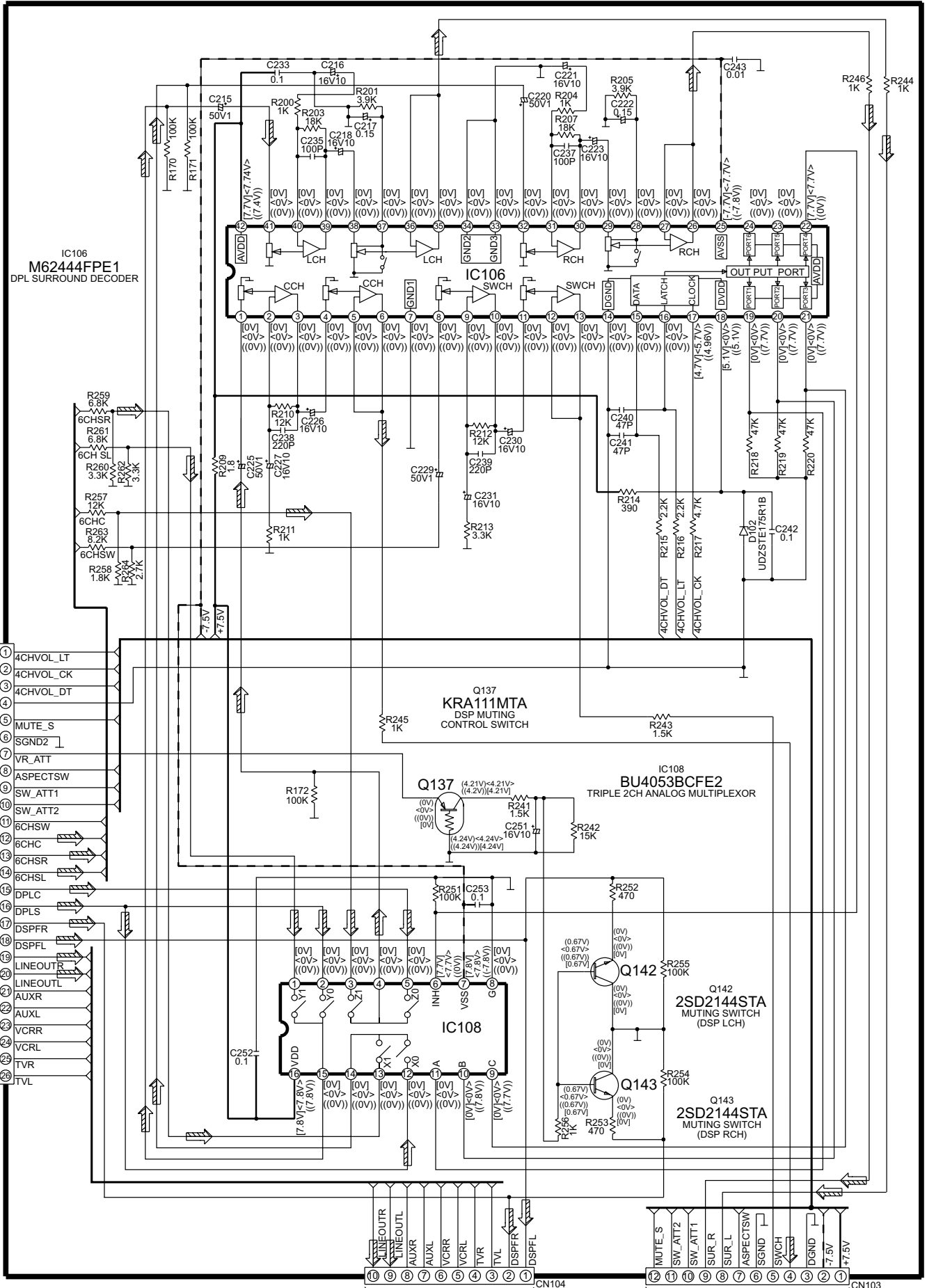
TO TELEVISION

www.watv-horvat.dj.htm

SCHEMATIC DIAGRAM - 17

D ASP CIRCUIT

— : +B SIGNAL LINE - - : -B SIGNAL LINE ⇨ : MAIN SIGNAL LINE



TO DSP CIRCUIT (CN806) ON SCHEMATIC DIAGRAM-19

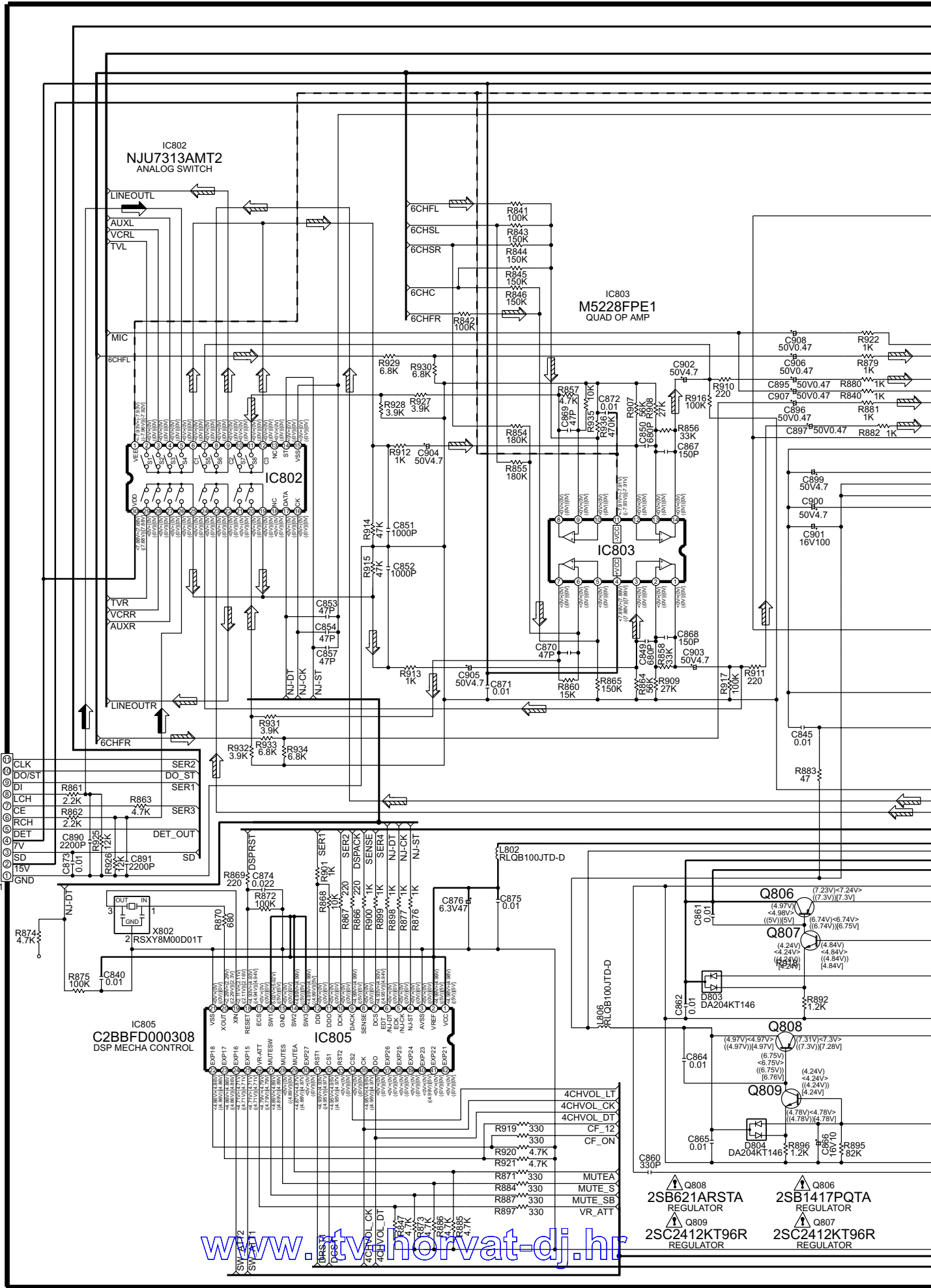
INPUT CIRCUIT (CP104) ON SCHEMATIC DIAGRAM-16

INPUT CIRCUIT (CP103) ON SCHEMATIC DIAGRAM-16

SCHEMATIC DIAGRAM - 18

E DSP CIRCUIT

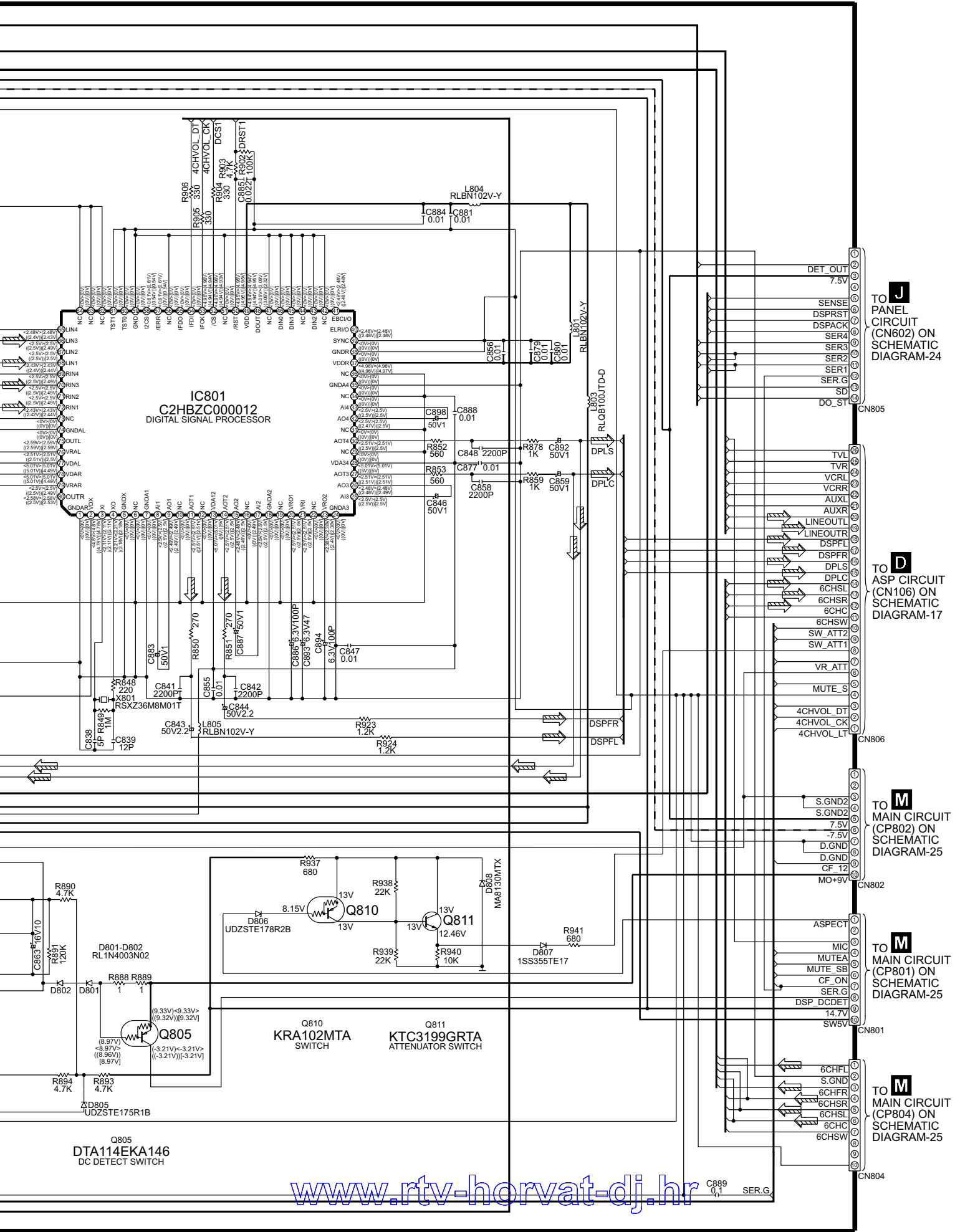
— : +B SIGNAL LINE - - - : -B SIGNAL LINE ➡ : FM/AM SIGNAL LINE



SCHEMATIC DIAGRAM - 19

E DSP CIRCUIT

— : +B SIGNAL LINE - - : -B SIGNAL LINE ⇨ : MAIN SIGNAL LINE



J TO PANEL CIRCUIT (CN602) ON SCHEMATIC DIAGRAM-24

D TO ASP CIRCUIT (CN106) ON SCHEMATIC DIAGRAM-17

M TO MAIN CIRCUIT (CP802) ON SCHEMATIC DIAGRAM-25

M TO MAIN CIRCUIT (CP801) ON SCHEMATIC DIAGRAM-25

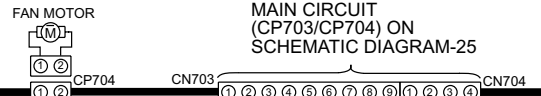
M TO MAIN CIRCUIT (CP804) ON SCHEMATIC DIAGRAM-25

SCHEMATIC DIAGRAM - 20

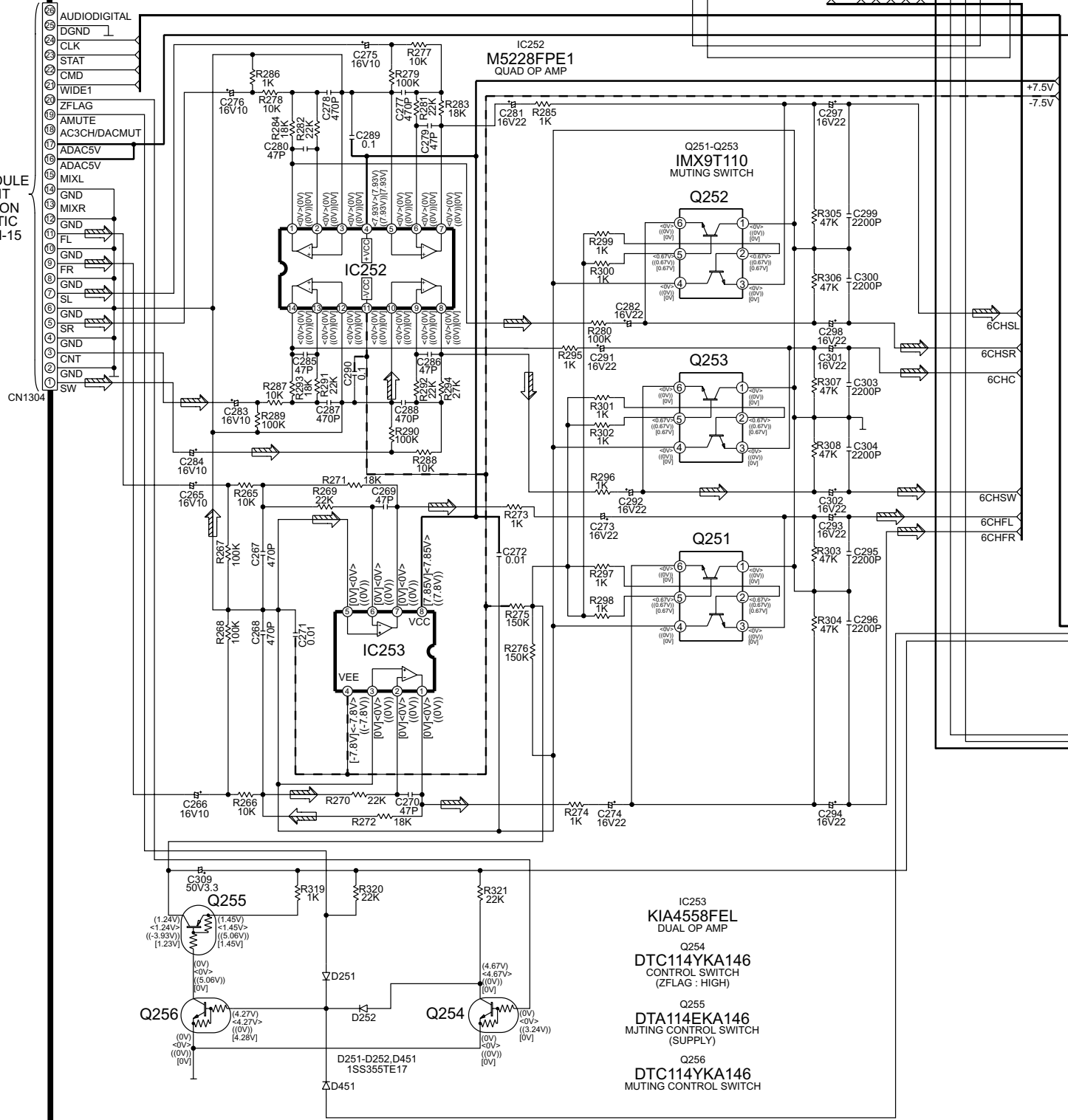
— : +B SIGNAL LINE - - - : -B SIGNAL LINE

F DVDREG CIRCUIT

TO **M**
MAIN CIRCUIT
(CP703/CP704) ON
SCHEMATIC DIAGRAM-25



TO **B**
DVD MODULE
(2)CIRCUIT
(FP4202) ON
SCHEMATIC
DIAGRAM-15



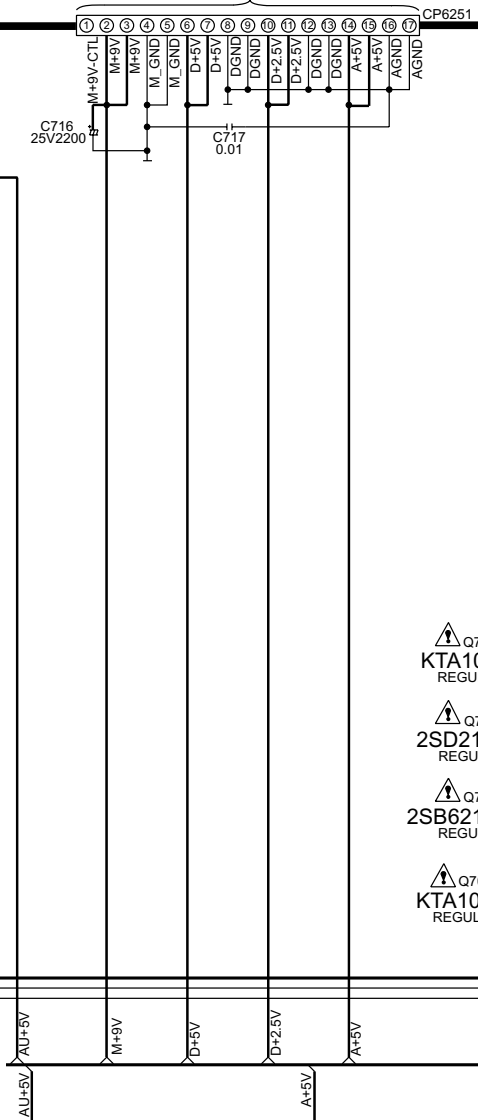
- IC253
KIA4558FEL
DUAL OP AMP
- Q254
DTC114YKA146
CONTROL SWITCH
(ZFLAG : HIGH)
- Q255
DTA114EKA146
MUTING CONTROL SWITCH
(SUPPLY)
- Q256
DTC114YKA146
MUTING CONTROL SWITCH

SCHEMATIC DIAGRAM - 21

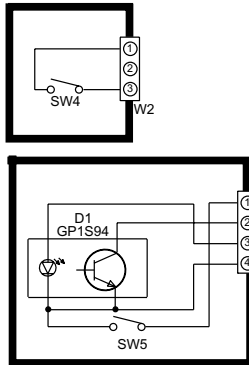
— : +B SIGNAL LINE

F DVDREG CIRCUIT

TO B DVD MODULE(2) CIRCUIT (FP3202) ON SCHEMATIC DIAGRAM-13



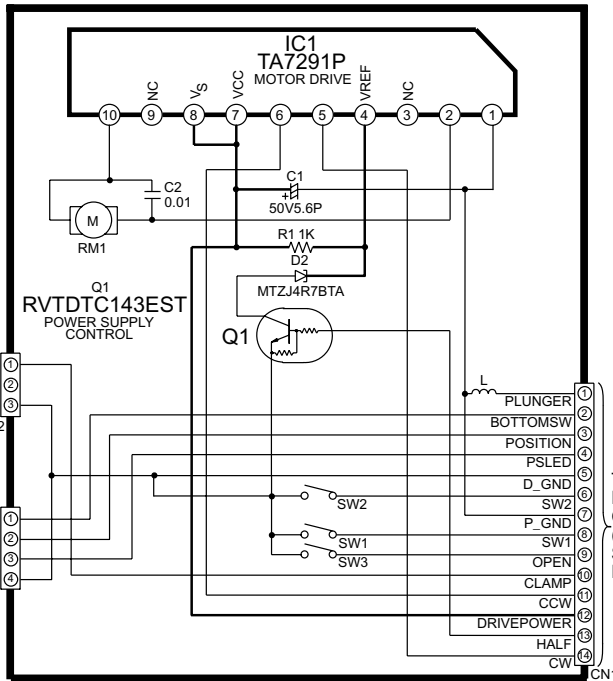
I CD DETECT CIRCUIT



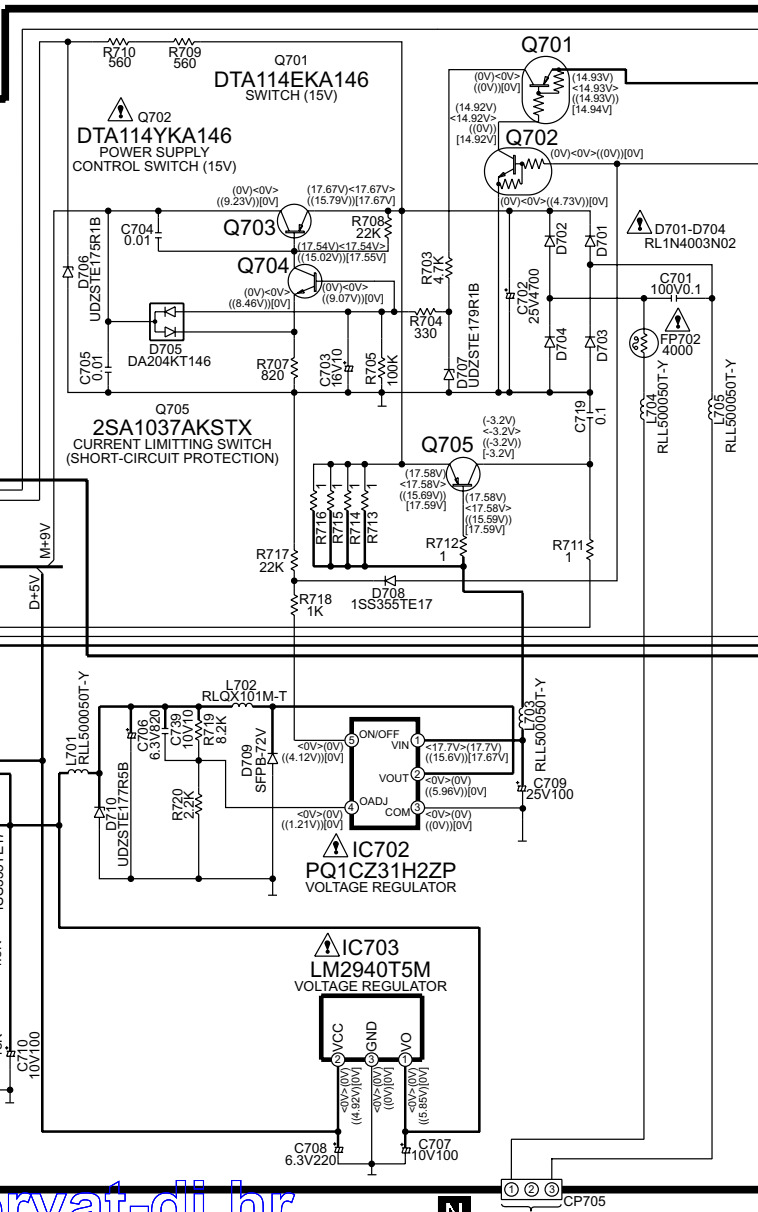
H SPINDLE POSITION CIRCUIT

- Q708 KTA1046YU REGULATOR
- Q709 2SD2114K1V REGULATOR
- Q710 2SB621ARSTA REGULATOR
- Q703 KTA1046YU REGULATOR
- Q711 2SC2412KT96R REGULATOR
- Q712 2SB621ARSTA REGULATOR
- Q713 2SC2412KT96R REGULATOR
- Q704 2SC2412KT96R REGULATOR

G CD LOADING CIRCUIT



TO F DVDREG CIRCUIT (CN1) ON SCHEMATIC DIAGRAM-22



TO N SUB-TRANSFORMER CIRCUIT (W705) ON SCHEMATIC DIAGRAM-27

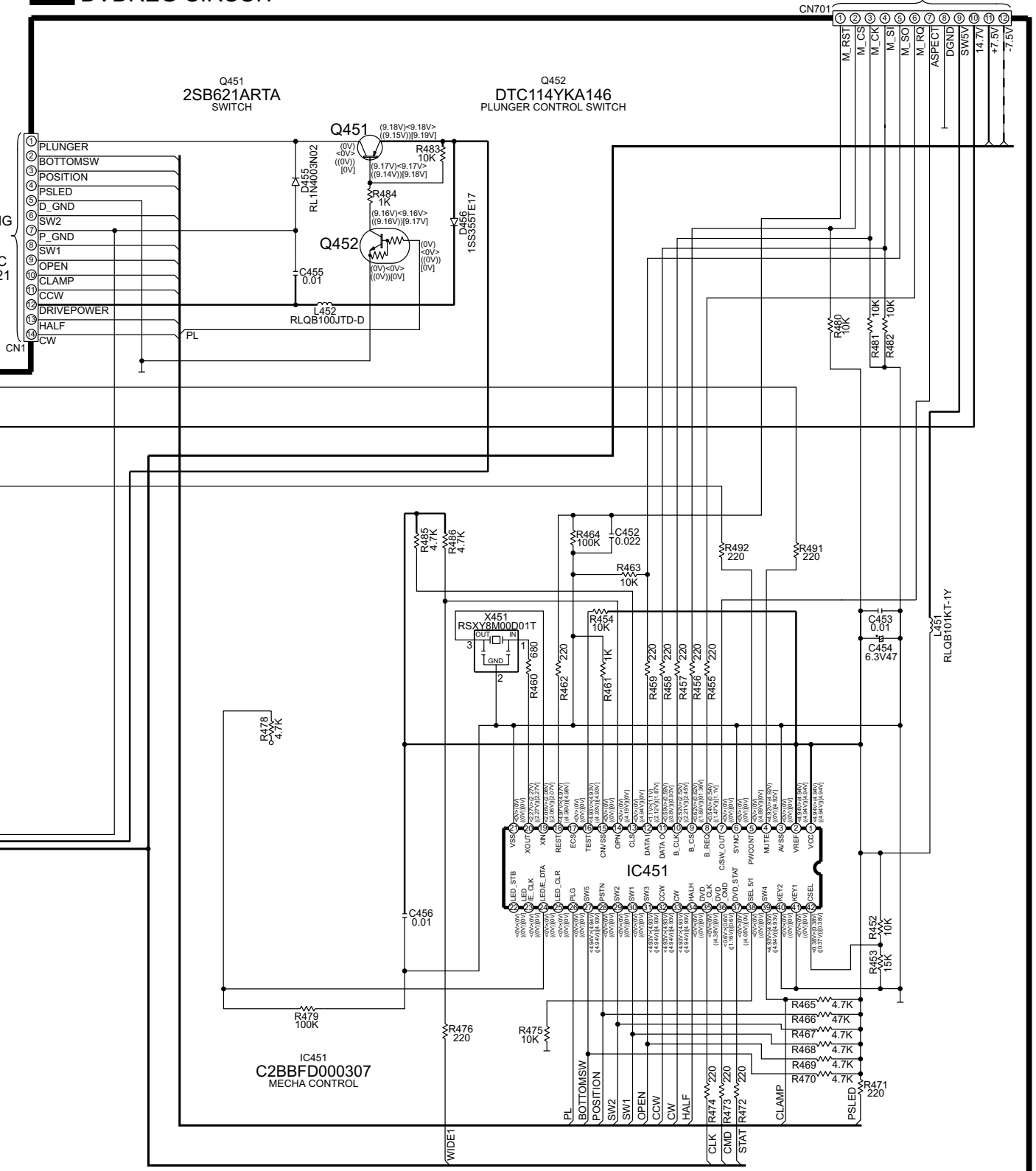
SCHEMATIC DIAGRAM - 22

— : +B SIGNAL LINE - - - : -B SIGNAL LINE

F DVDREG CIRCUIT

TO **M**
MAIN CIRCUIT
(CP701) ON
SCHEMATIC
DIAGRAM-25

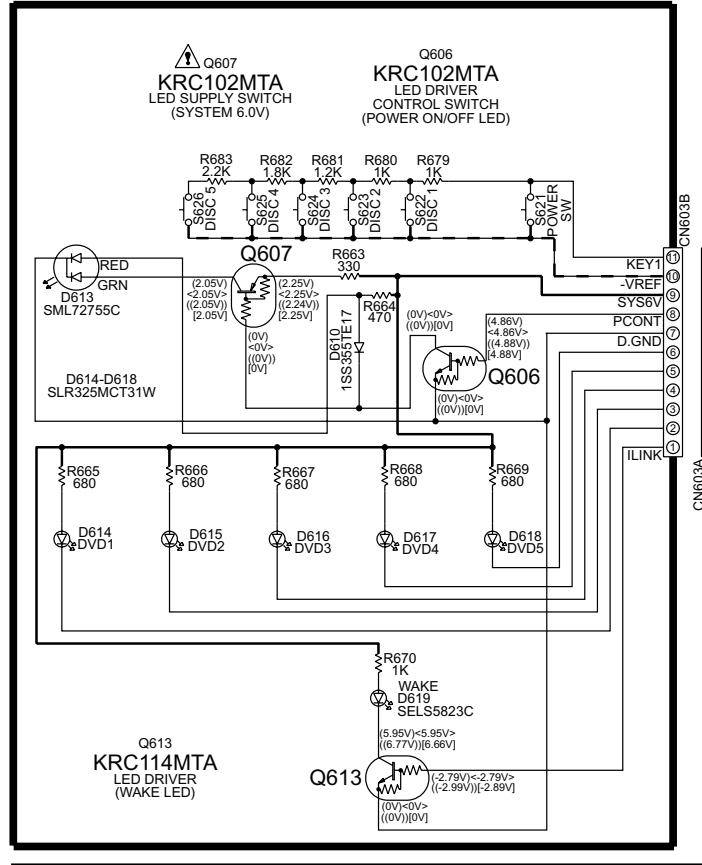
TO **G**
CD LOADING
CIRCUIT
(CN1) ON
SCHEMATIC
DIAGRAM-21



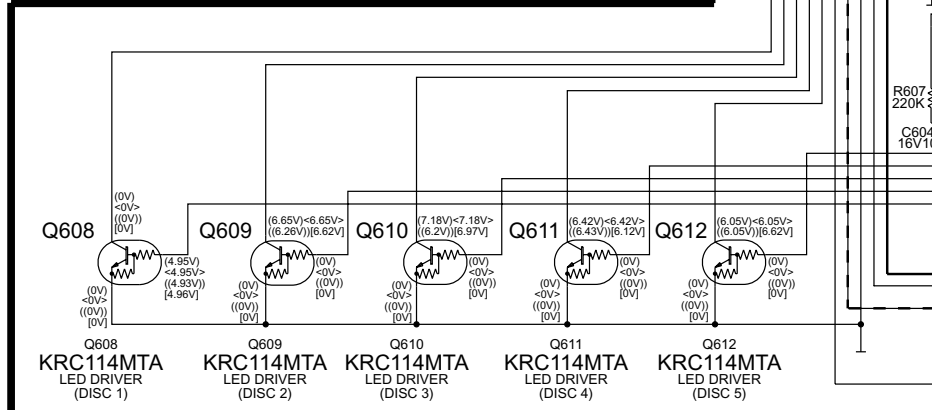
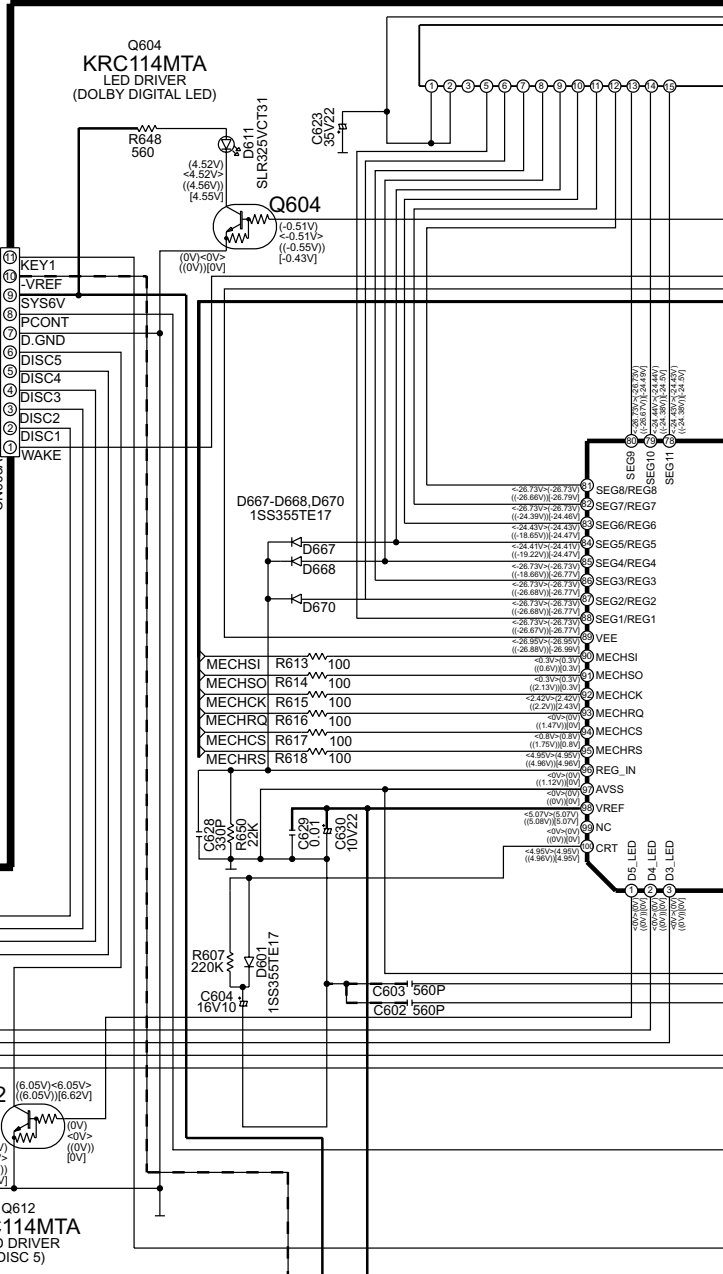
SCHEMATIC DIAGRAM - 23

— : +B SIGNAL LINE - - - : -B SIGNAL LINE ⇨ : MAIN SIGNAL LINE

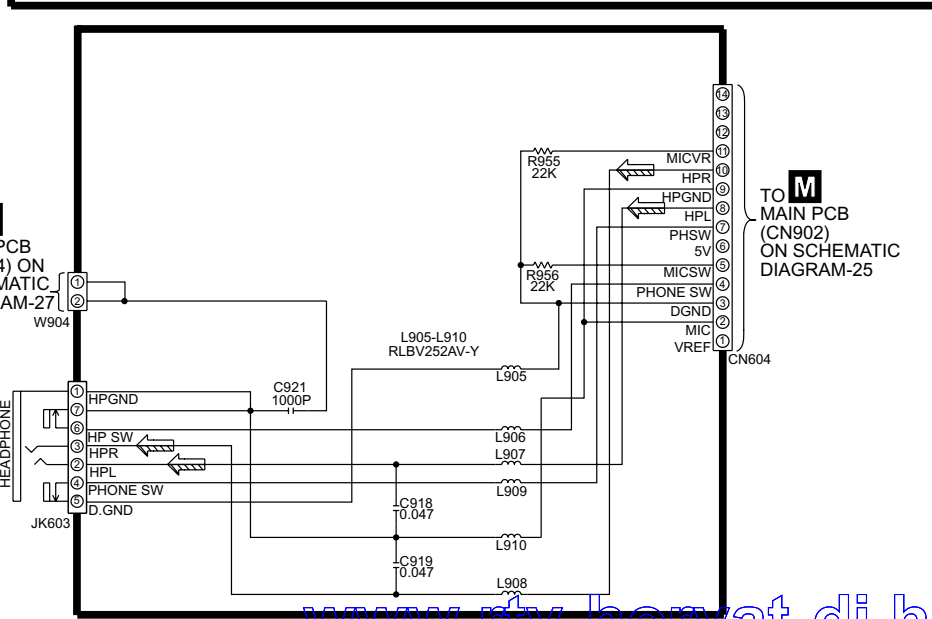
K POWER SWITCH CIRCUIT



J PANEL CIRCUIT

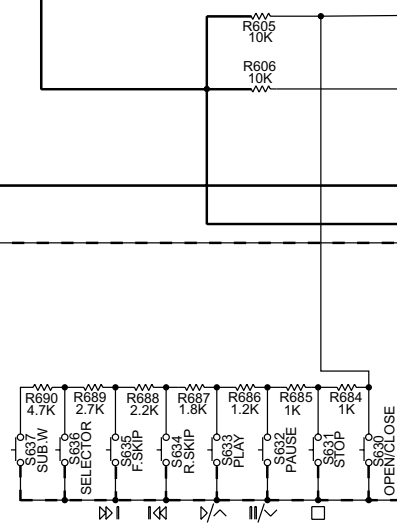


TO M
MAIN PCB
(CN904) ON
SCHEMATIC
DIAGRAM-27



L HEADPHONE CIRCUIT

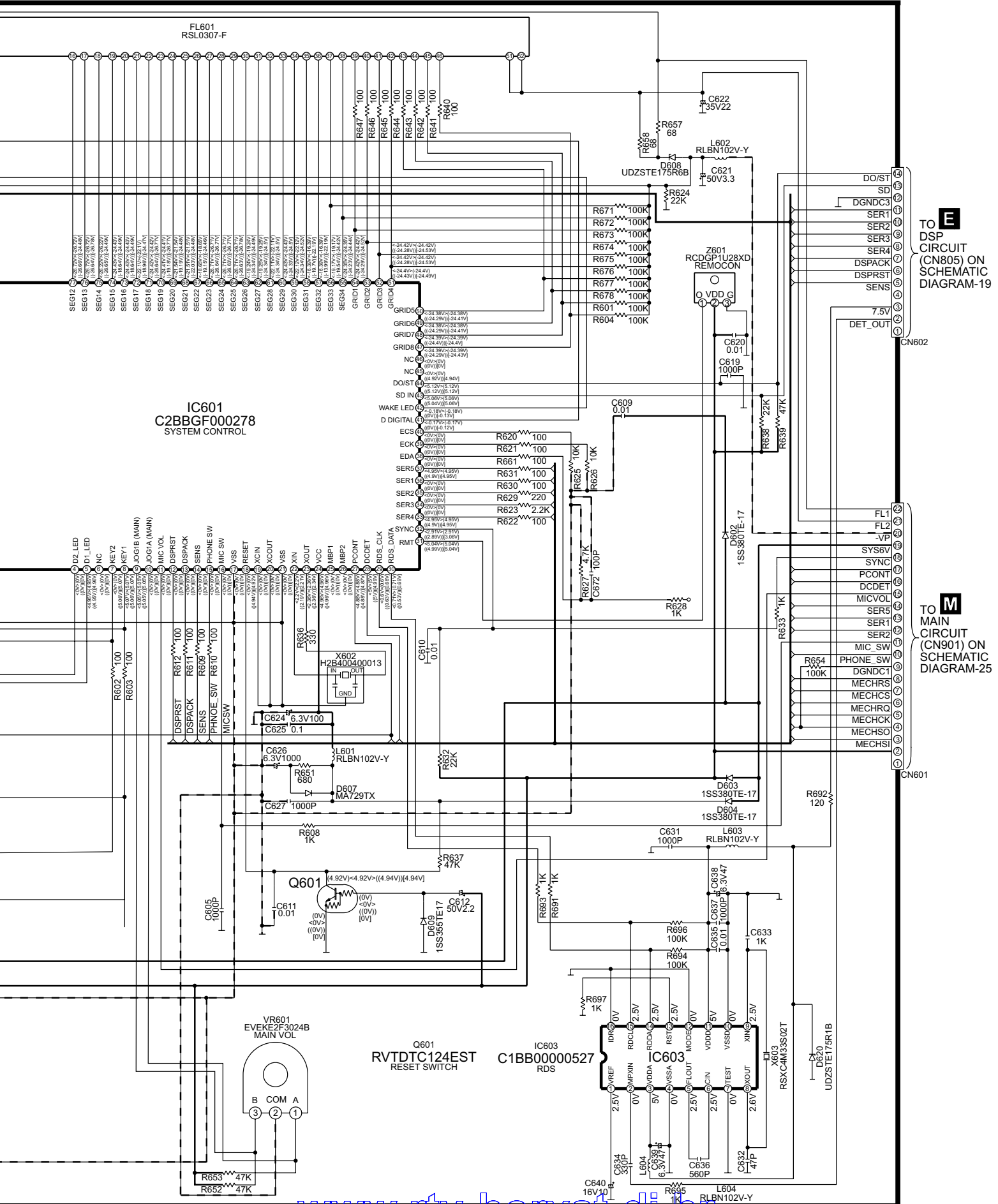
TO M
MAIN PCB
(CN902)
ON SCHEMATIC
DIAGRAM-25



SCHEMATIC DIAGRAM - 24

— : +B SIGNAL LINE - - : -B SIGNAL LINE

J PANEL CIRCUIT



— : +B SIGNAL LINE - - - : -B SIGNAL LINE

M MAIN CIRCUIT

TO **E** DSP CIRCUIT (CN804) ON SCHEMATIC DIAGRAM-19

TO **E** DSP CIRCUIT (CN802) ON SCHEMATIC DIAGRAM-19

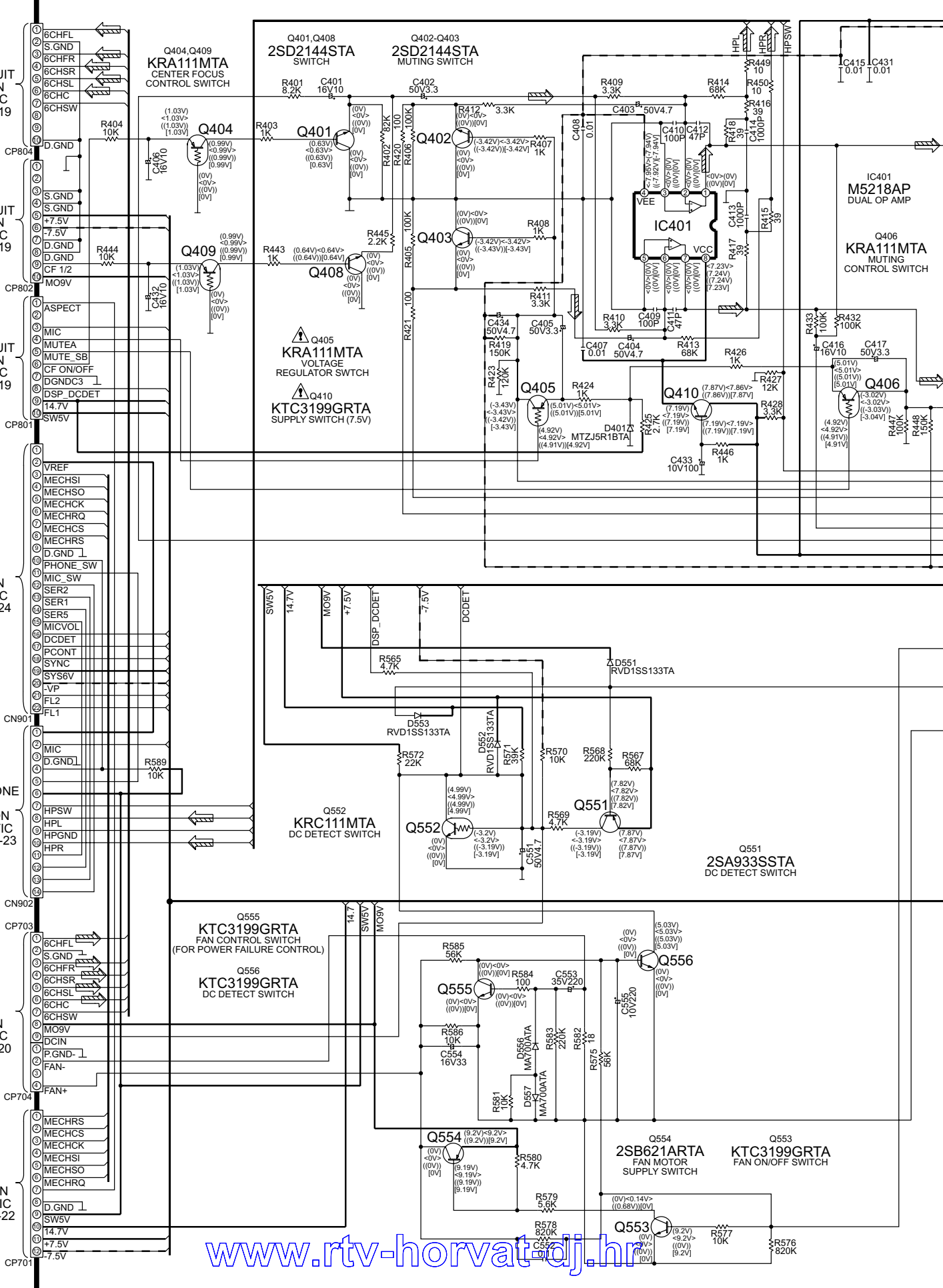
TO **E** DSP CIRCUIT (CN801) ON SCHEMATIC DIAGRAM-19

TO **J** PANEL CIRCUIT (CN601) ON SCHEMATIC DIAGRAM-24

TO **L** HEADPHONE CIRCUIT (CN604) ON SCHEMATIC DIAGRAM-23

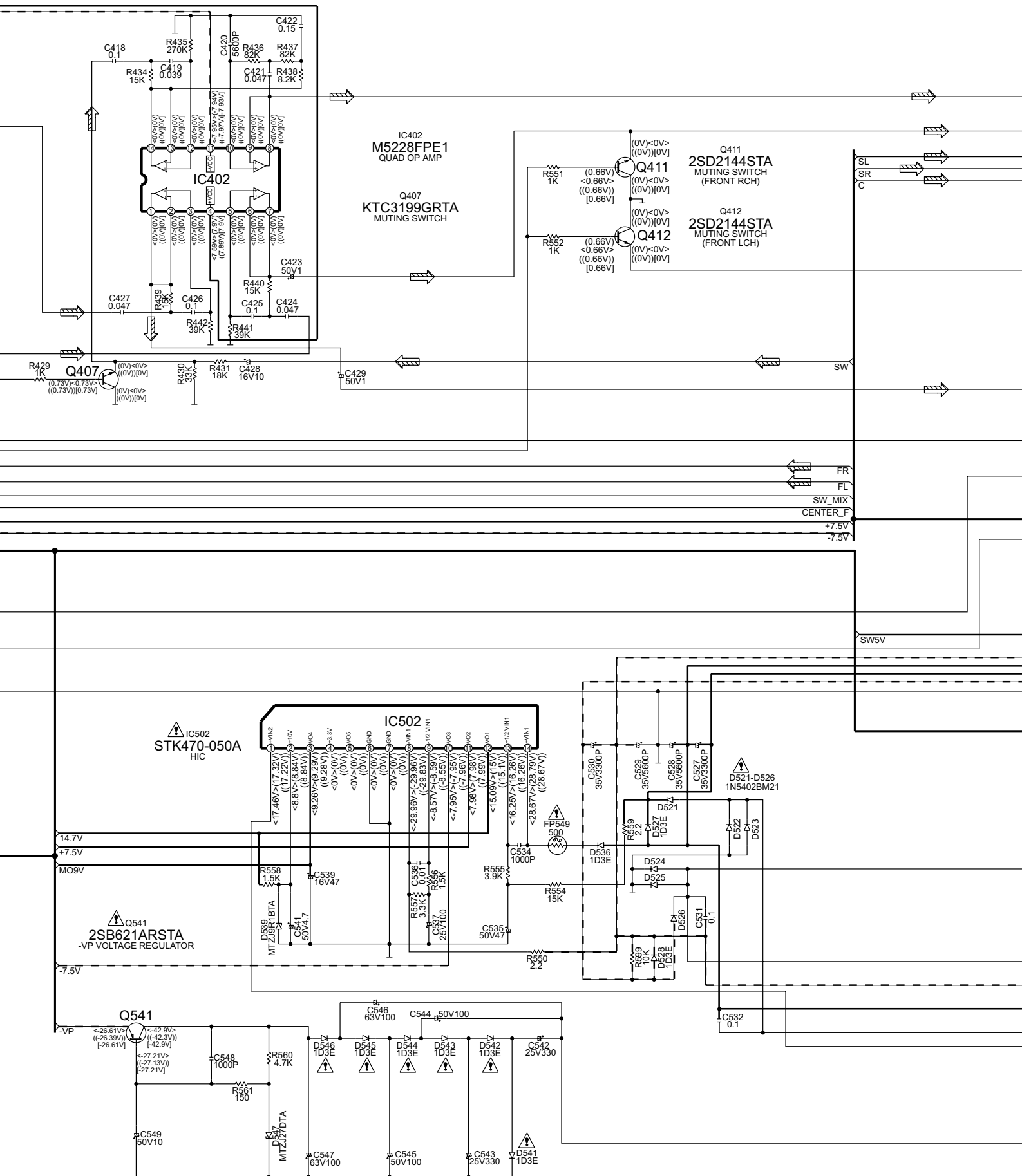
TO **F** DVDREG CIRCUIT (CN703 /CP704) ON SCHEMATIC DIAGRAM-20

TO **F** DVDREG CIRCUIT (CN701) ON SCHEMATIC DIAGRAM-22



M MAIN CIRCUIT

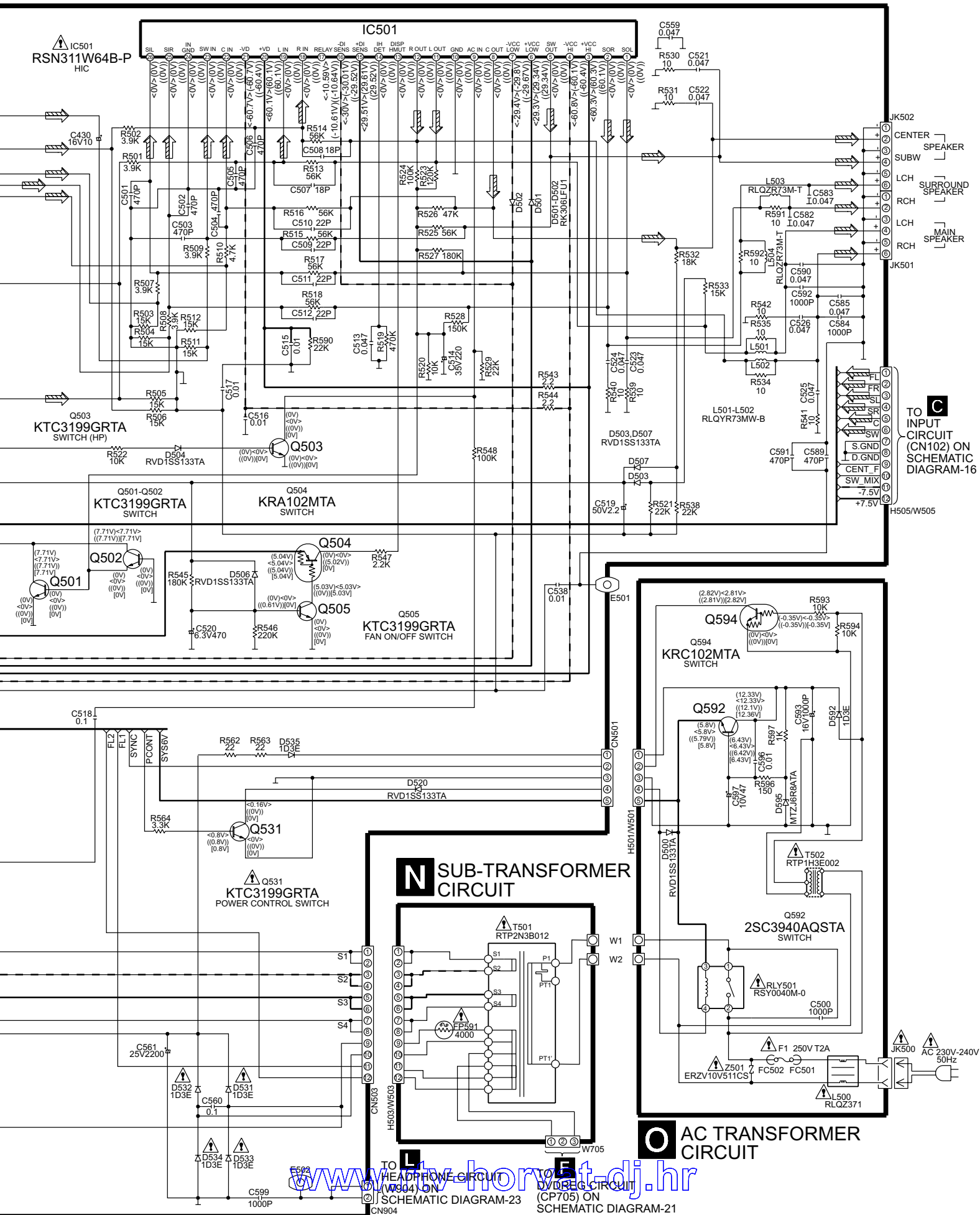
— : +B SIGNAL LINE - - - : -B SIGNAL LINE ⇨ : MAIN SIGNAL LINE



SCHEMATIC DIAGRAM - 27

— : +B SIGNAL LINE - - : -B SIGNAL LINE ⇨ : MAIN SIGNAL LINE

M MAIN CIRCUIT



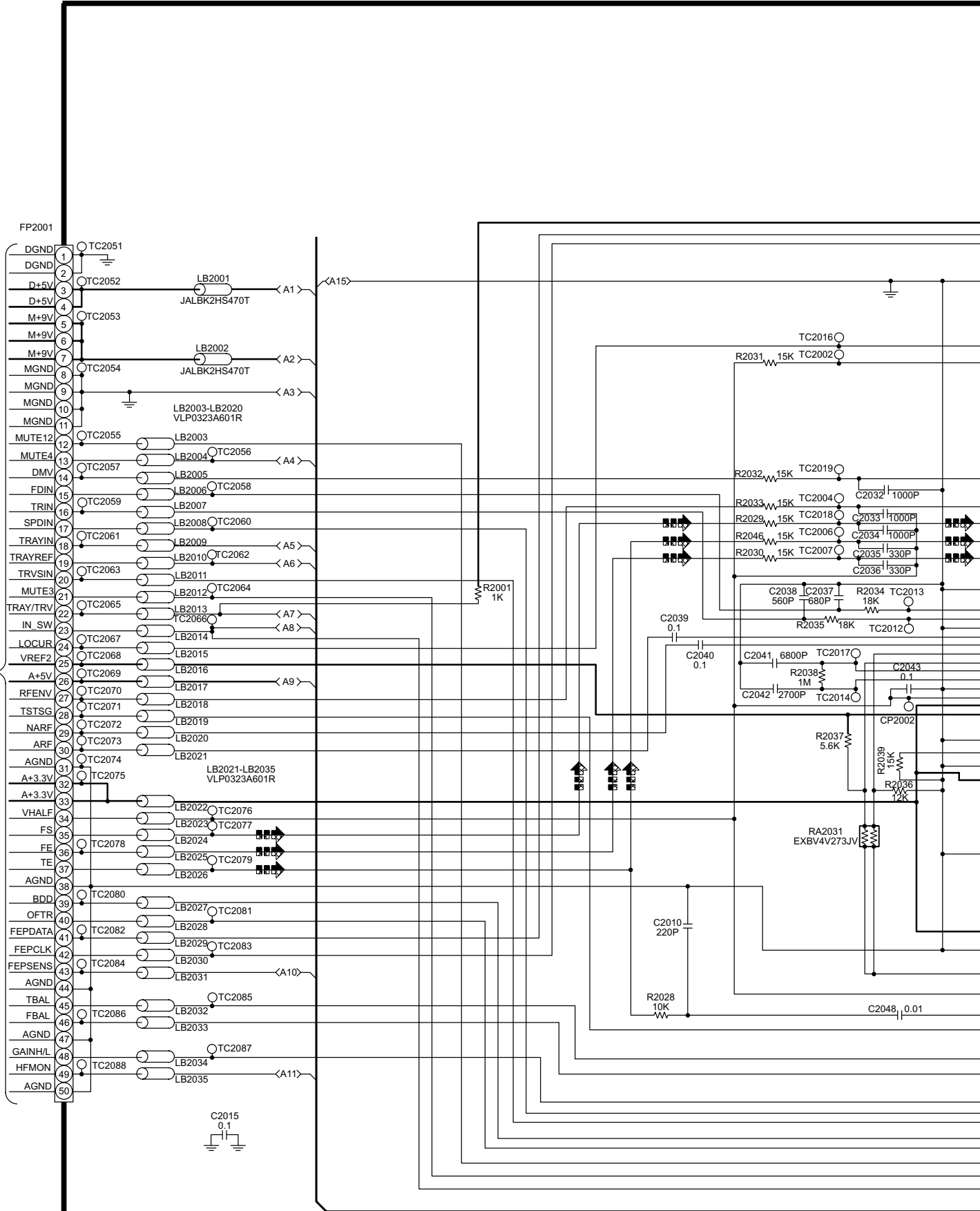
SCHEMATIC DIAGRAM - 4

B DVD MODULE(2) CIRCUIT

— : +B SIGNAL LINE

▶ : DVD (AUDIO/VIDEO) SIGNAL LINE

TO **A**
DVD
MODULE(1)
CIRCUIT
(FP5202) ON
SCHEMATIC
DIAGRAM-3

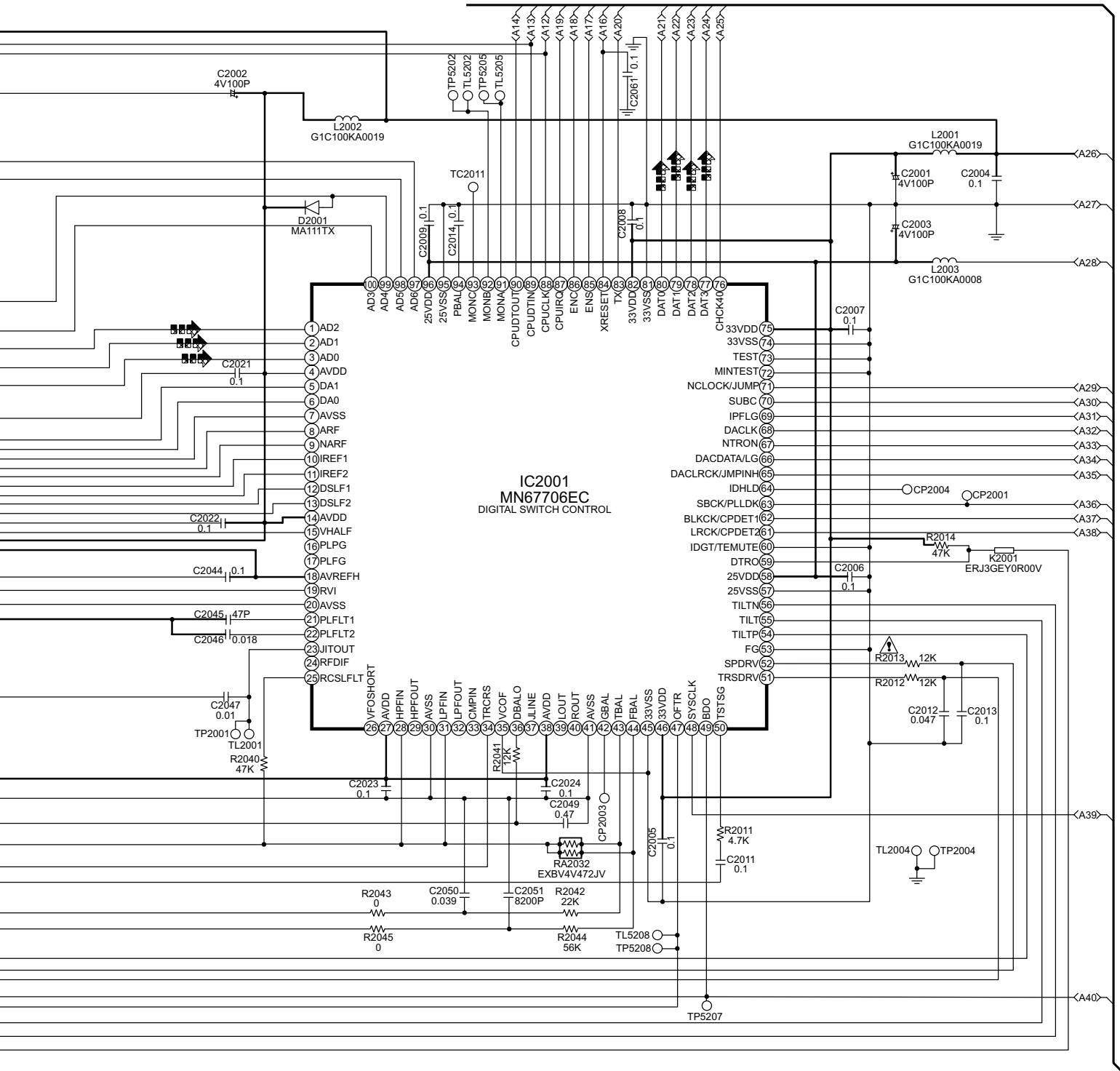


SCHEMATIC DIAGRAM - 5

B DVD MODULE(2) CIRCUIT

— : +B SIGNAL LINE

▬▬▬ : DVD (AUDIO/VIDEO) SIGNAL LINE



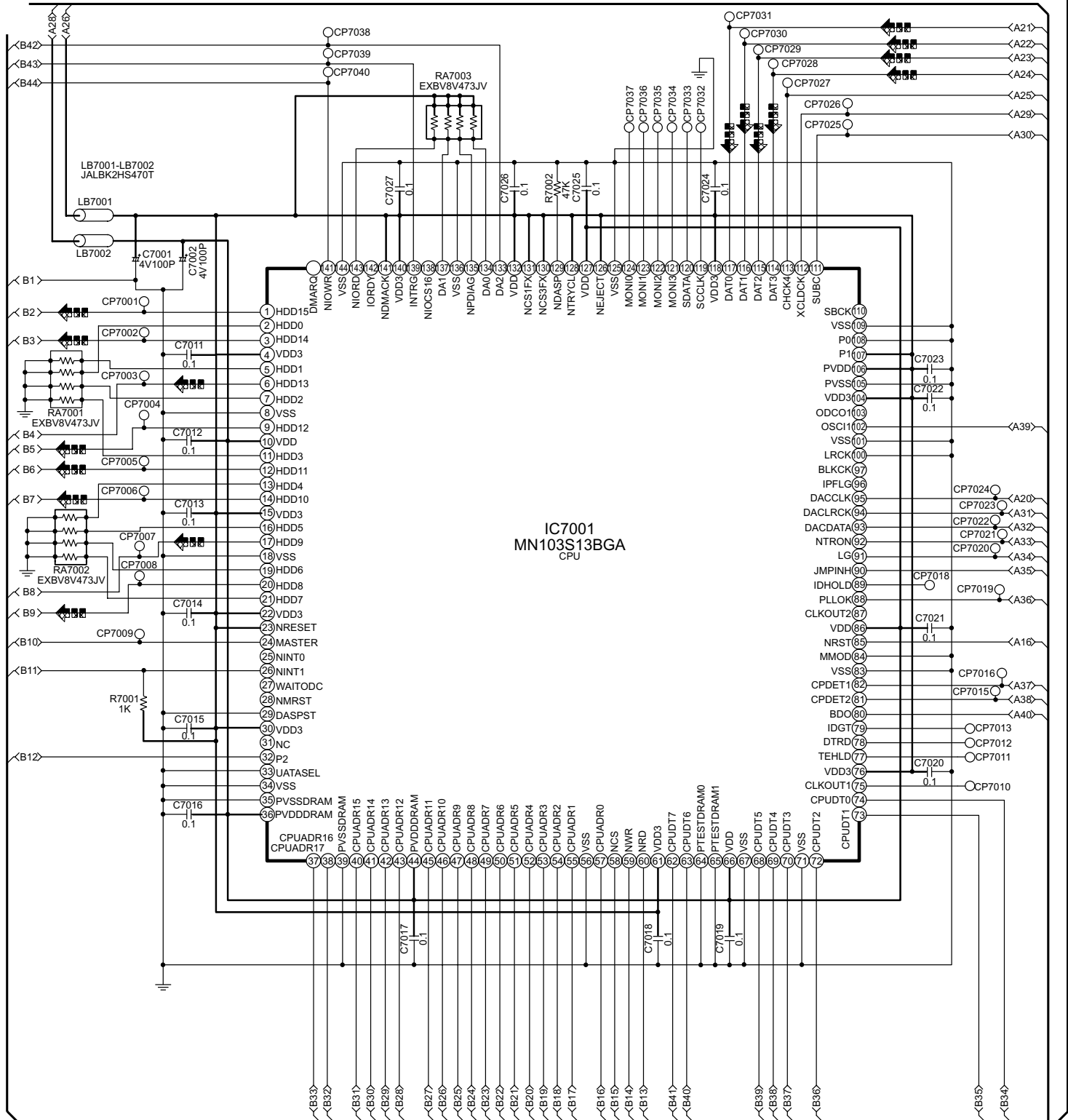
SCHEMATIC DIAGRAM - 6

B

DVD MODULE(2) CIRCUIT

— : +B SIGNAL LINE

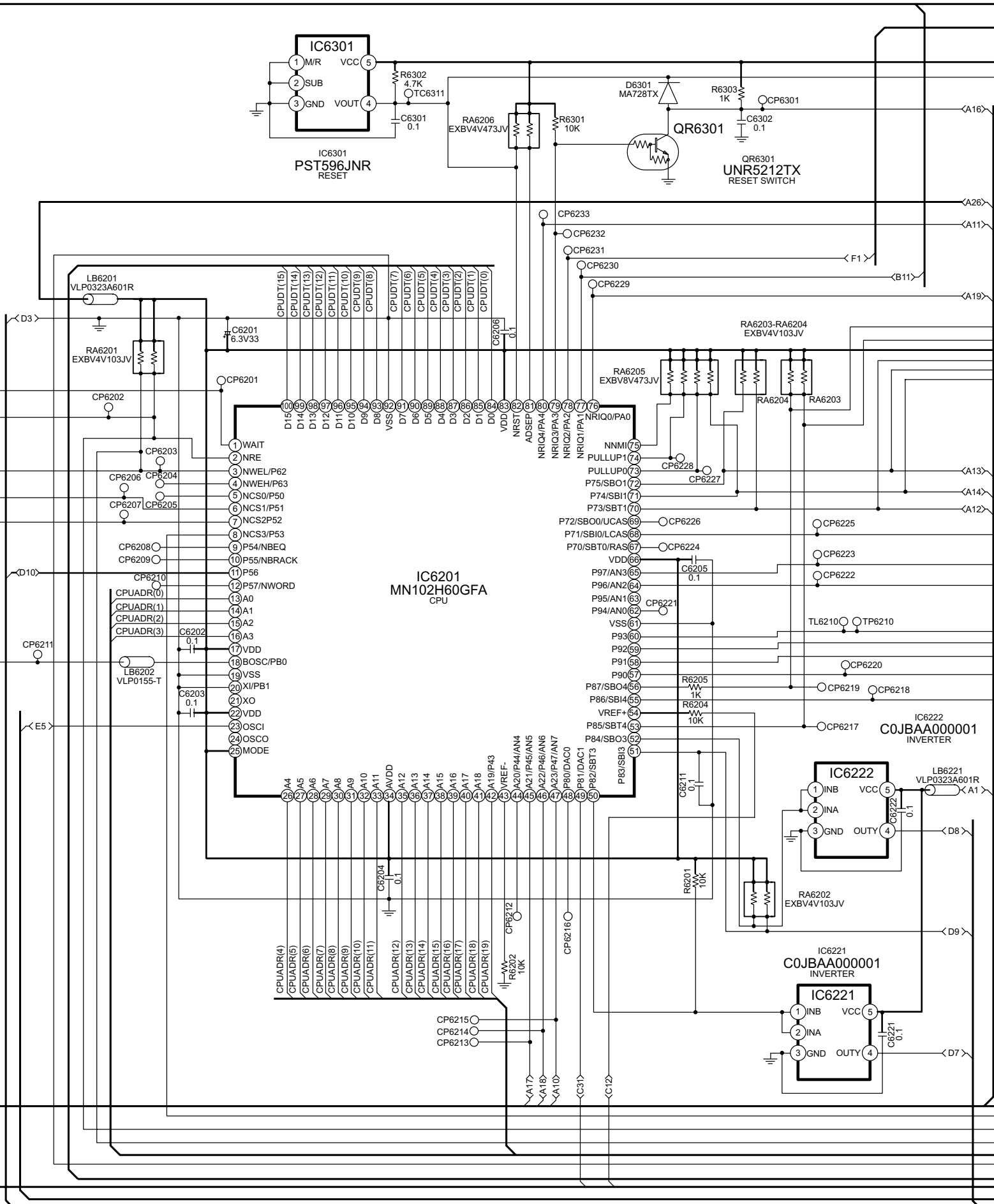
⬇ : DVD (AUDIO/VIDEO) SIGNAL LINE



SCHEMATIC DIAGRAM - 7

B DVD MODULE(2) CIRCUIT

_____ : +B SIGNAL LINE



SCHEMATIC DIAGRAM - 8

B DVD MODULE(2) CIRCUIT

